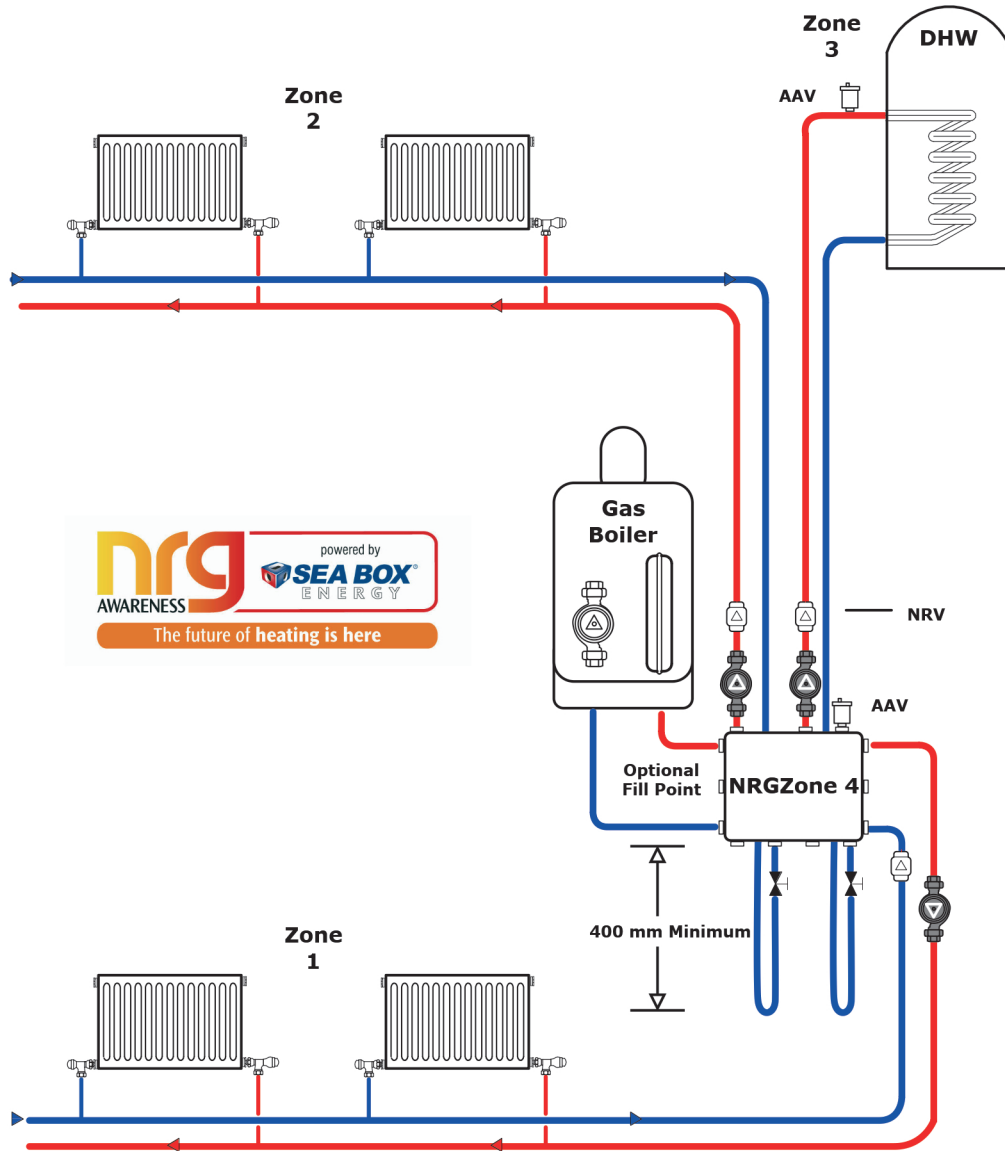


**NRGZone and an example gas boiler with zones rising vertically upwards from the manifold**

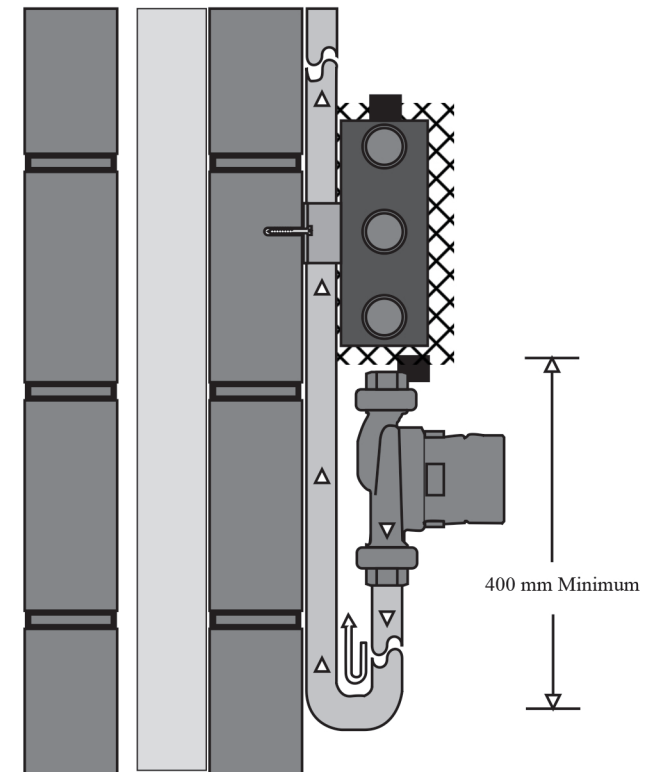


It is possible to pipe circuits that rise upwards from the NRGZone behind the manifold.

Any Flow & Return loops below the manifold must drop down 400mm before they rise back up.

In that situation a Non Return Valve (NRV) is required above the zone pump as shown to prevent inadvertent circulation rising to the area above.

'Flap Type' NRV's are preferably when the valve location is on the vertical rise either to or from the NRGZone



**NRG Zone- System Schematic - 88**