

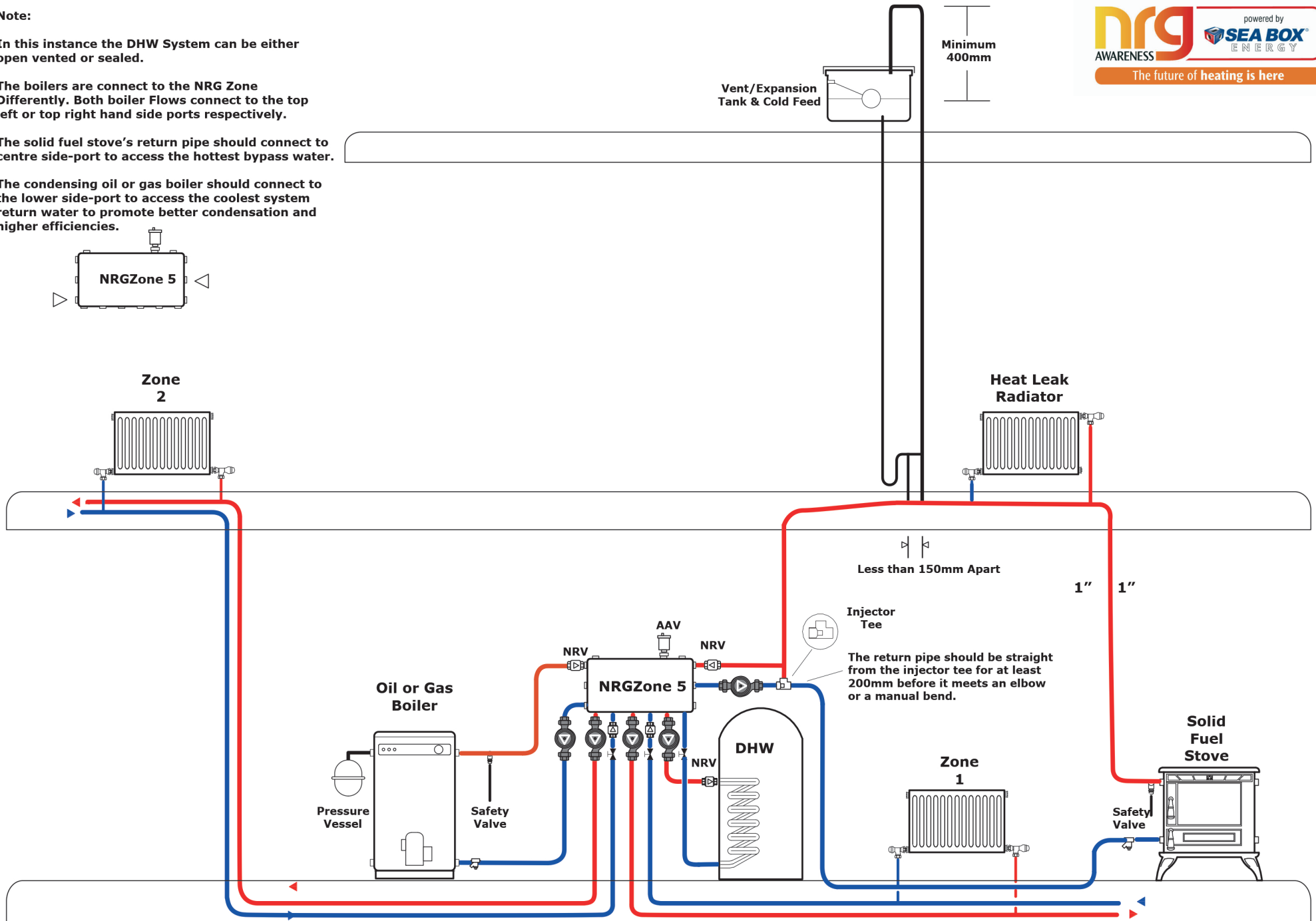
Note:

In this instance the DHW System can be either open vented or sealed.

The boilers are connect to the NRG Zone Differently. Both boiler Flows connect to the top left or top right hand side ports respectively.

The solid fuel stove's return pipe should connect to centre side-port to access the hottest bypass water.

The condensing oil or gas boiler should connect to the lower side-port to access the coolest system return water to promote better condensation and higher efficiencies.



NRG Zone - System Schematic - 70