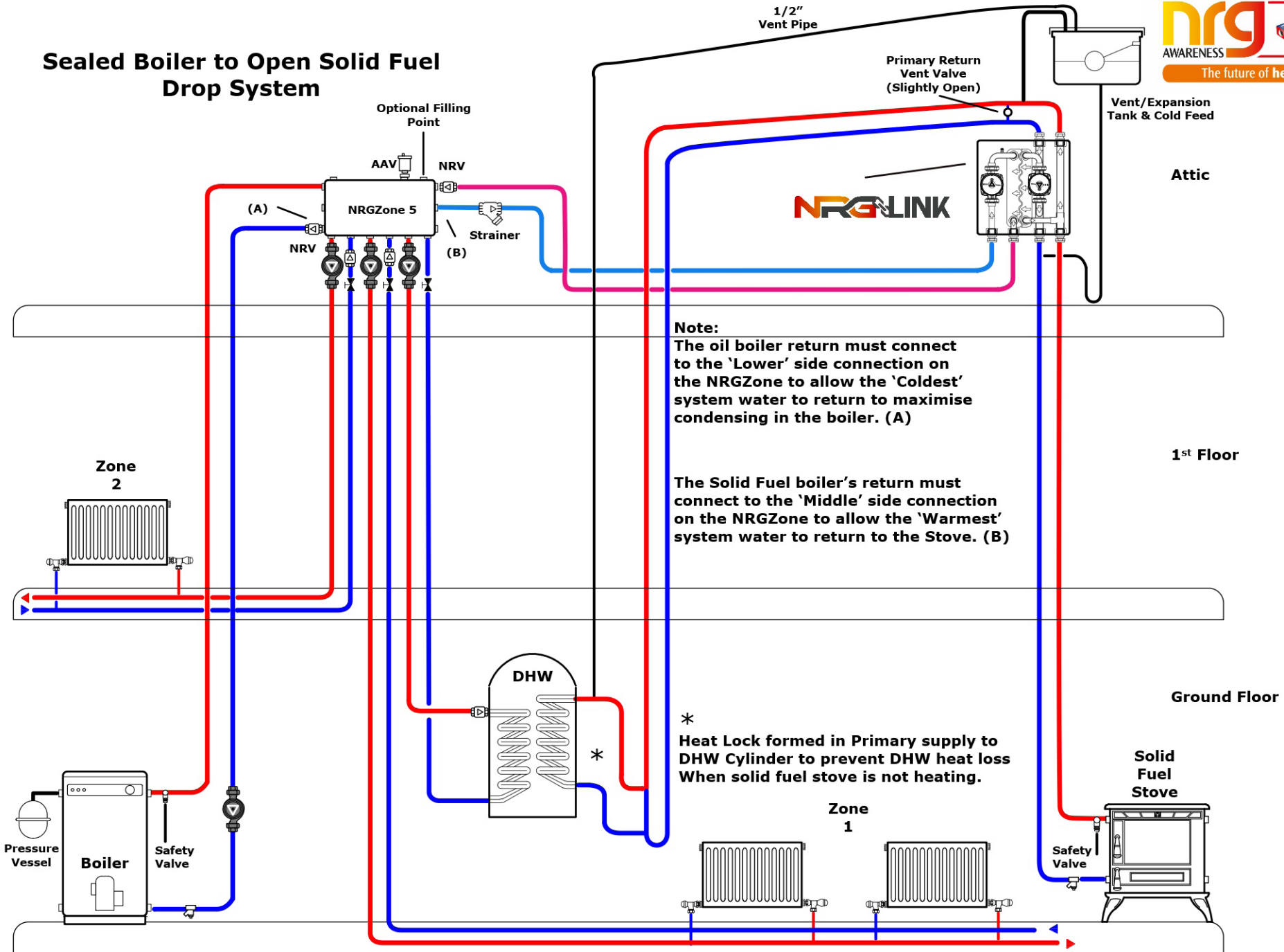


Sealed Boiler to Open Solid Fuel Drop System



Note:
 The oil boiler return must connect to the 'Lower' side connection on the NRGZone to allow the 'Coldest' system water to return to maximise condensing in the boiler. (A)

The Solid Fuel boiler's return must connect to the 'Middle' side connection on the NRGZone to allow the 'Warmest' system water to return to the Stove. (B)

*
 Heat Lock formed in Primary supply to DHW Cylinder to prevent DHW heat loss When solid fuel stove is not heating.